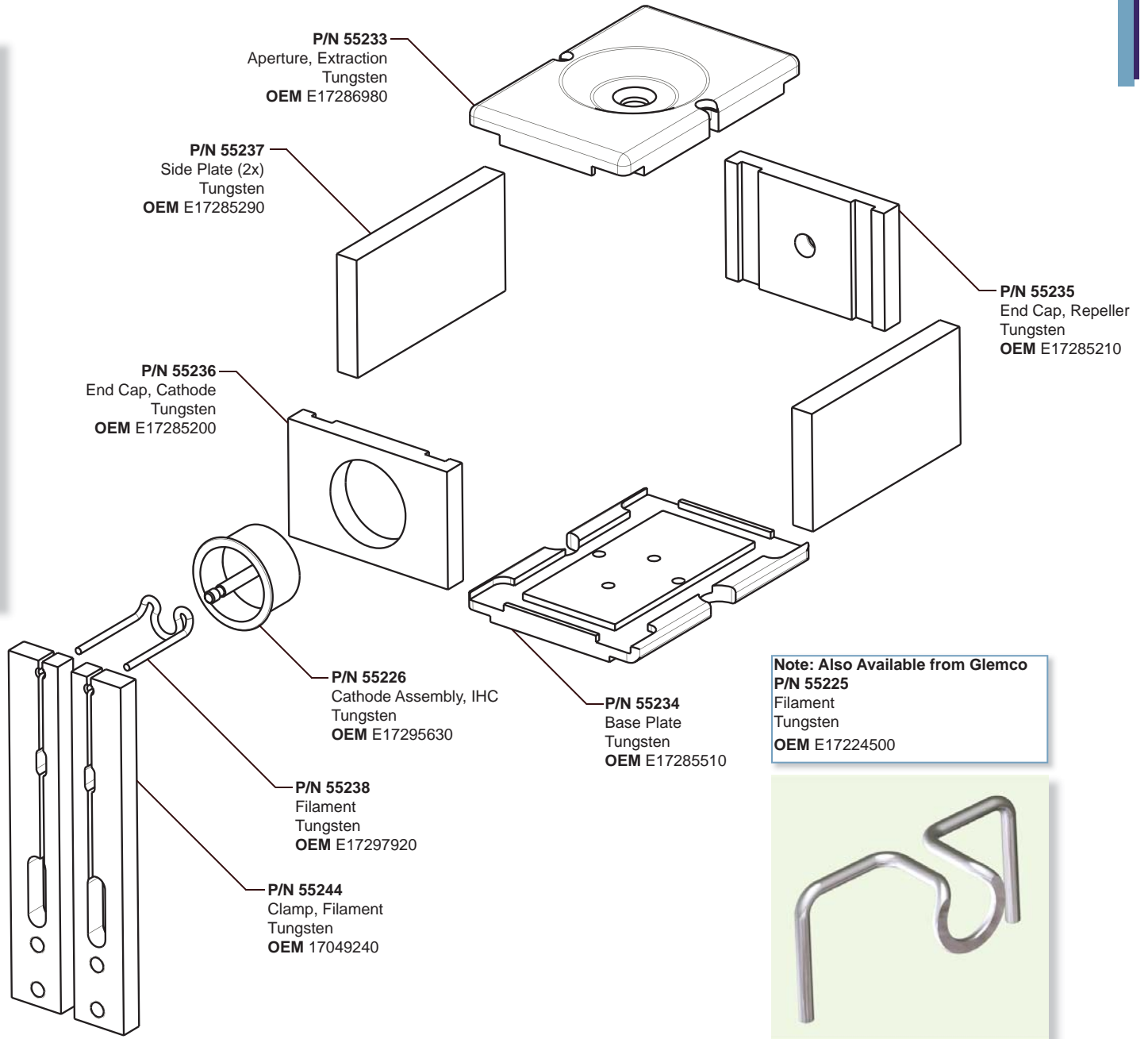
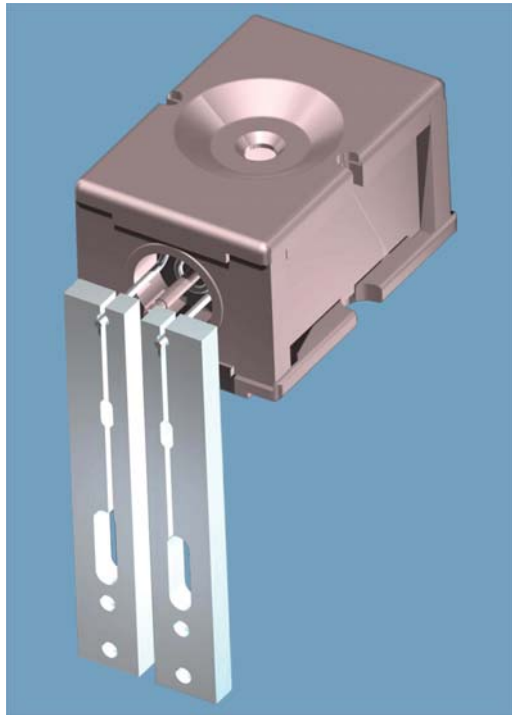
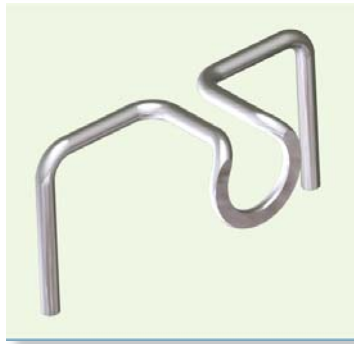




Components For Varian VIISta™ 3000 HP

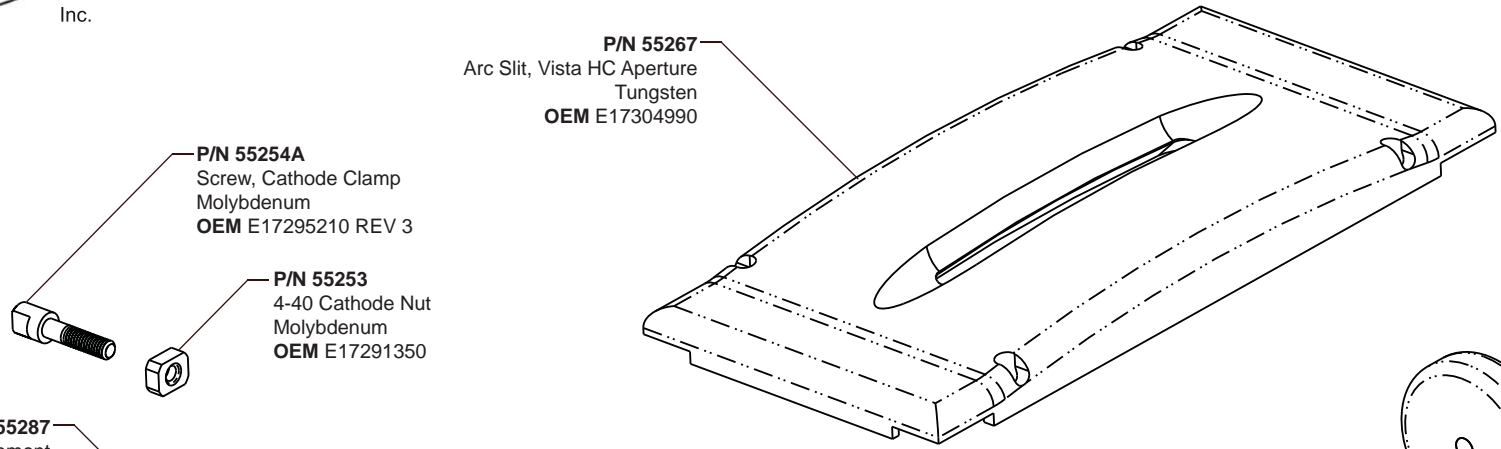


Note: Also Available from Glemco
P/N 55225
 Filament Tungsten
 OEM E17224500





Replacement Components For Varian VIISta™ HC/IHC Source

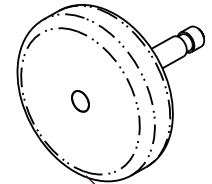
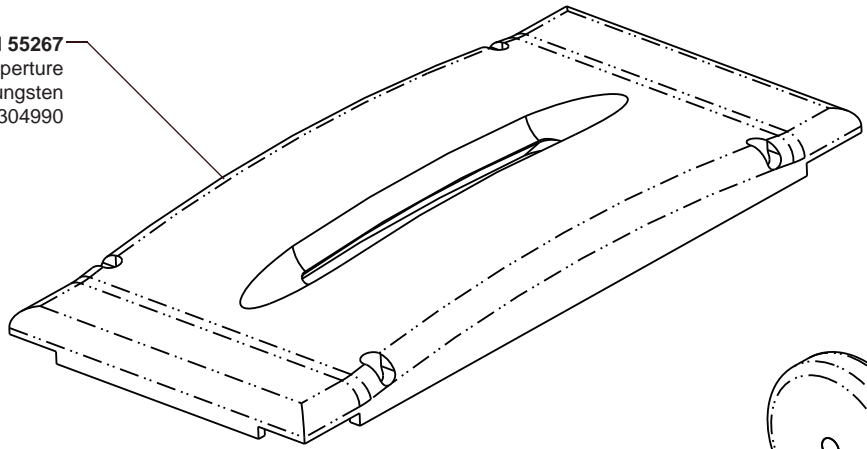
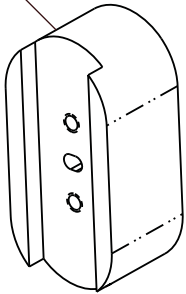
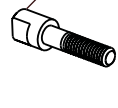


P/N 55254A
Screw, Cathode Clamp
Molybdenum
OEM E17295210 REV 3

P/N 55253
4-40 Cathode Nut
Molybdenum
OEM E17291350

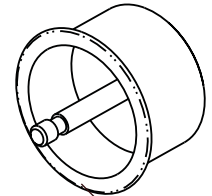
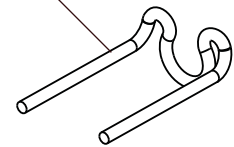
P/N 55267
Arc Slit, Vista HC Aperture
Tungsten
OEM E17304990

P/N 55287
Insulator, Filament
Cathode Clamp
Aluminum Oxide
OEM E17296280

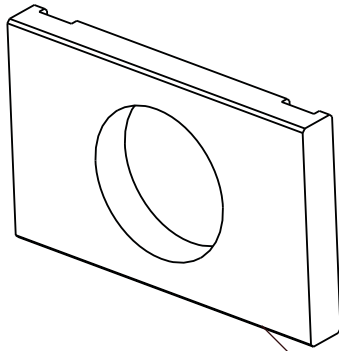


P/N 55232
Repeller Assembly
Tungsten
OEM E17289910

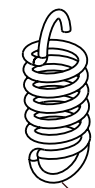
P/N 55238
Filament
Tungsten
OEM E17297920



P/N 55226
Cathode Assembly, IHC
Tungsten
OEM E17295630



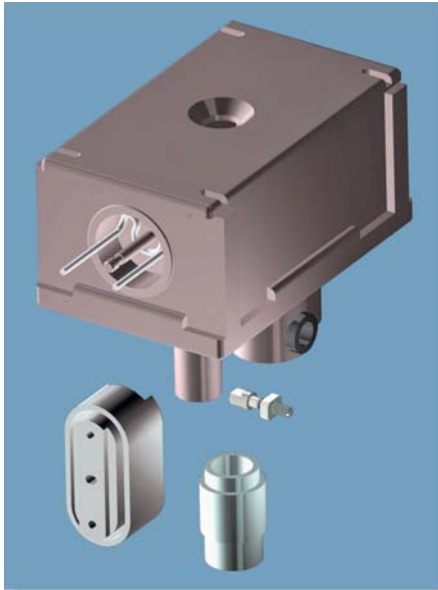
P/N 55268
Cathode, End Plate
Tungsten
OEM E17285150



P/N 82058
Spring .359OD X 1.380
Stainless Steel
OEM E12004800



Replacement Components For Varian VIISta™ 810 Ion Source



P/N 55230
Plate, Front
Tungsten
OEM E17220370

P/N 55229
Side Plate
Tungsten (2x)
OEM E17220340

P/N 55227
End Plate
Tungsten
OEM E17220310

P/N 55226
Cathode Assembly, IHC
Tungsten
OEM E17295630

P/N 55254A
Screw, Cathode Clamp
Molybdenum
OEM E17295210 REV 3

P/N 55253
4-40 Nut
Molybdenum
OEM E17291350

P/N 55238
Filament
Tungsten
OEM E17297920

P/N 55231
Base Plate
Tungsten
OEM E17288230

P/N 55287
Filament/Cathode Clamp Insulator
Aluminum Oxide
OEM E17296280

P/N 55228
End Cap, Repeller
Tungsten
OEM E17304690

P/N 52016
Insulator Nut
Aluminum Oxide
OEM E17132320 REV 1

P/N 52020
Repeller Insulator Shield
Tantalum
OEM E17132290

P/N 52017
Insulator
Boron Nitride
OEM E17132280 REV 1

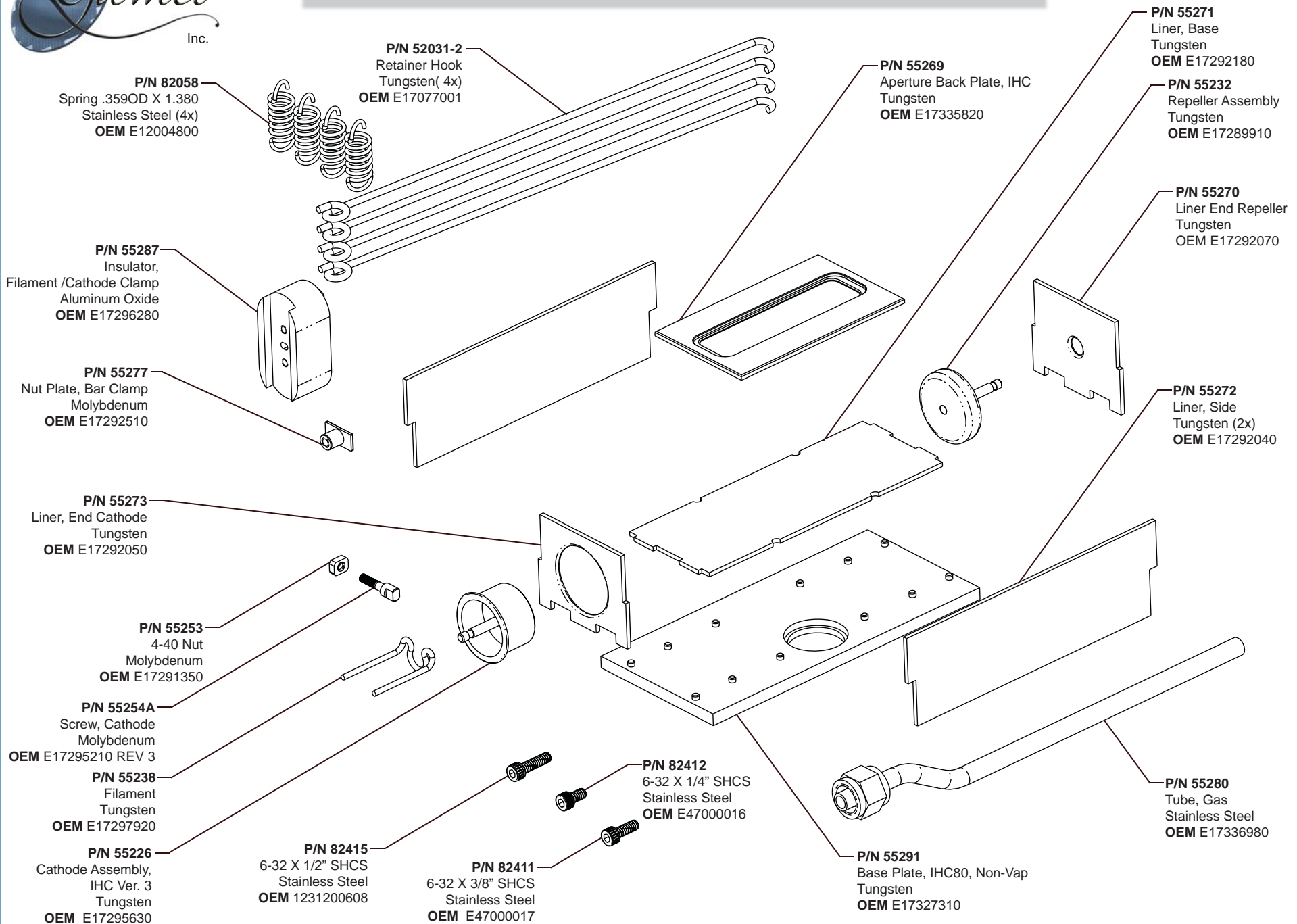
P/N 52013
Threaded Repeller
Tungsten
OEM E17124430 REV 1

P/N 52025
Gas Port Tube Casing
Graphite
OEM E17121520

P/N 55285
Insulator, Cathode Feed-thru
Aluminum Oxide
OEM E17296000



Replacement Components For Varian VIISta™ HCP Assembly

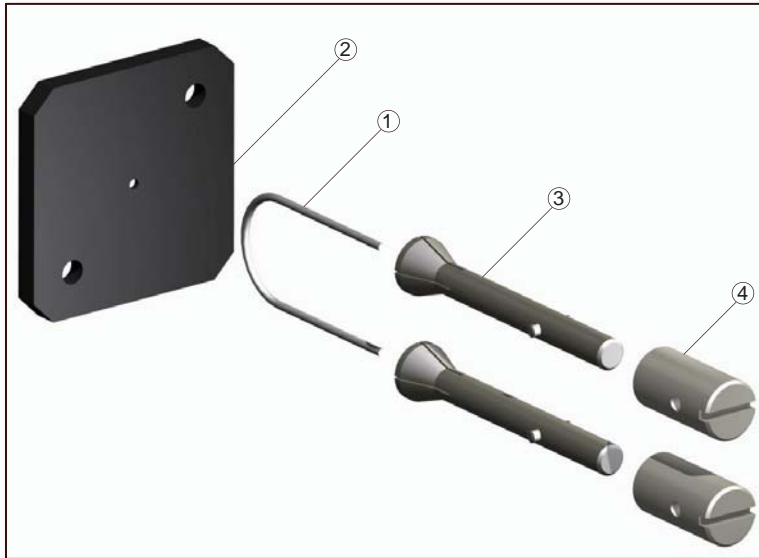




Replacement Components For Varian VIISta™ Assemblies

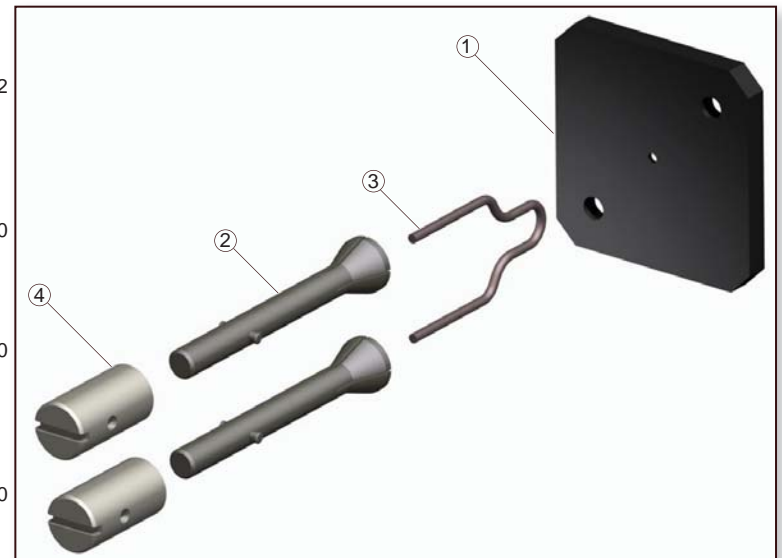
Components For Varian VIISta™ 810 Plasma Flood Assembly

1. **P/N 52069**
PFG Filament
Tungsten
OEM E17041850
2. **P/N 55264**
PFG Aperture
Graphite
OEM E17225962
3. **P/N 55275**
PFG Filament
Clamp (2x)
Tantalum
OEM E17270590
4. **P/N 55276**
Nut, Filament
Clamp (2x)
Molybdenum
OEM E17058140



Components For Varian VIISta™ HC/HCP Plasma

1. **P/N 55264**
PFG Aperture
Graphite
OEM E17225962
2. **P/N 55275**
PFG Filament
Clamp (2x)
Tantalum
OEM E17270590
3. **P/N 55279**
PFG Filament
Tungsten
OEM E17309460
4. **P/N 55276**
Nut, Filament
Clamp (2x)
Molybdenum
OEM E17058140



Components For Varian VIISta™ 80 Extraction Electrode

1. **P/N 52063**
Manipulator Insulator (4x)
Aluminum Oxide
OEM E17091850
2. **P/N 55262**
Ground Electrode
Graphite
OEM E17245340

