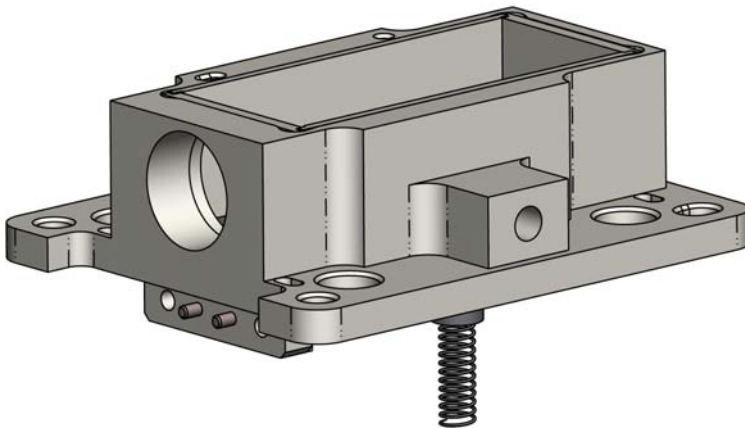
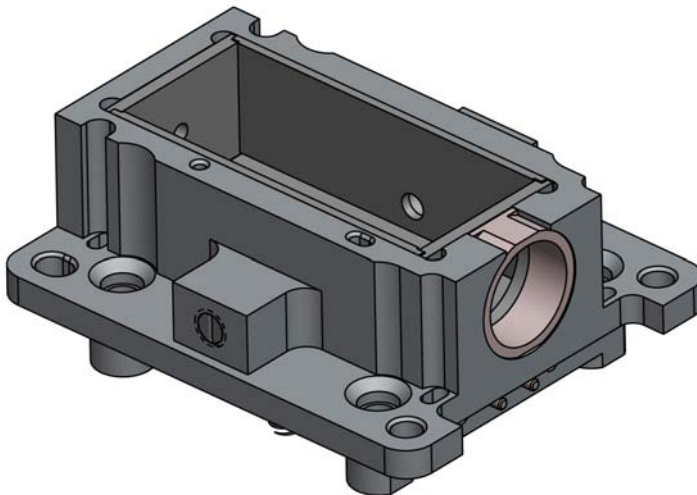


**Glemco .080" Tungsten Liner
System for GSD ELS Sources**



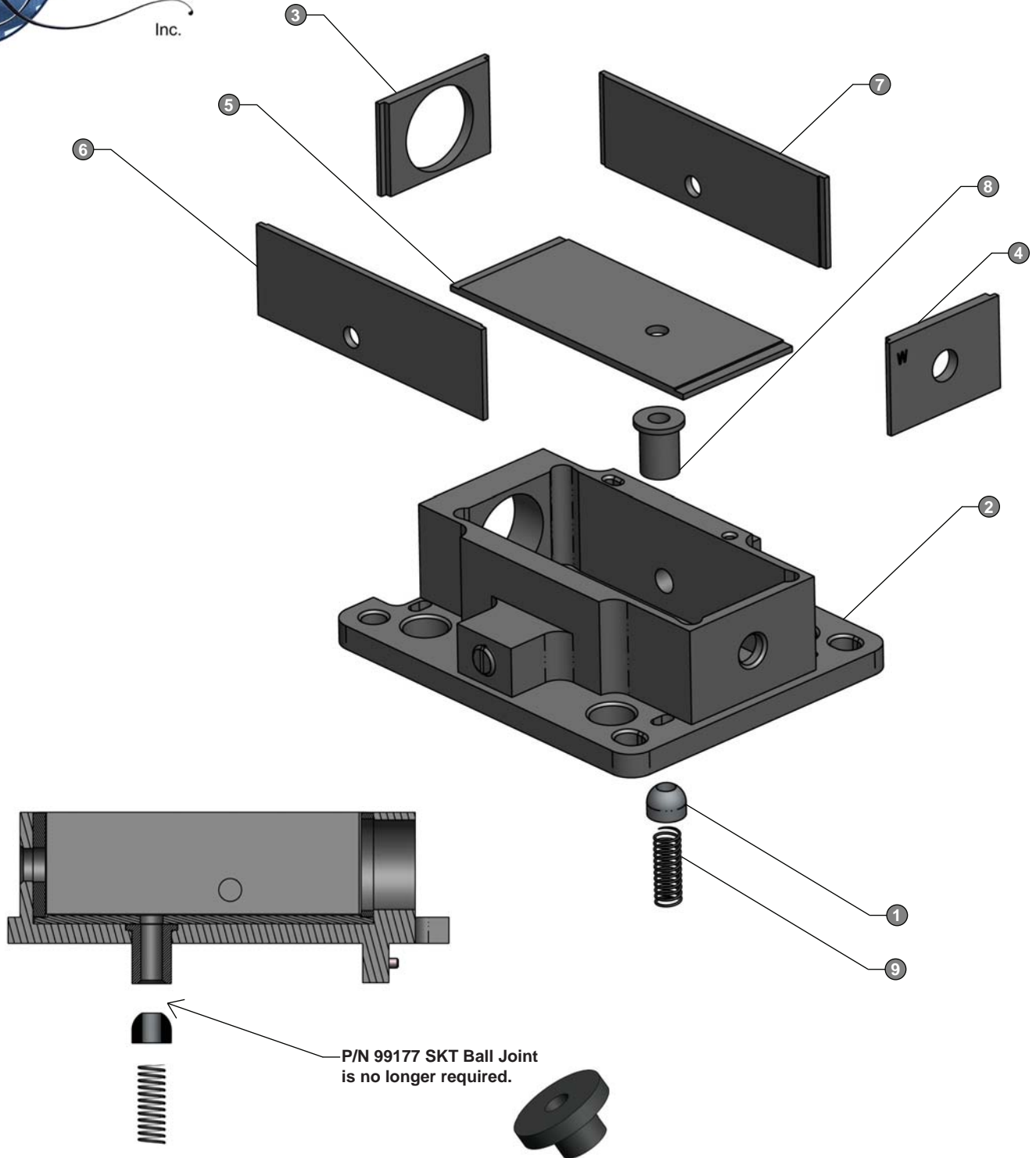
**Glemco .080" Molybdenum Liner
System for GSD ELS Sources**



**Glemco .080" Graphite Arc Chamber
Liner System for GSD ELS Sources**



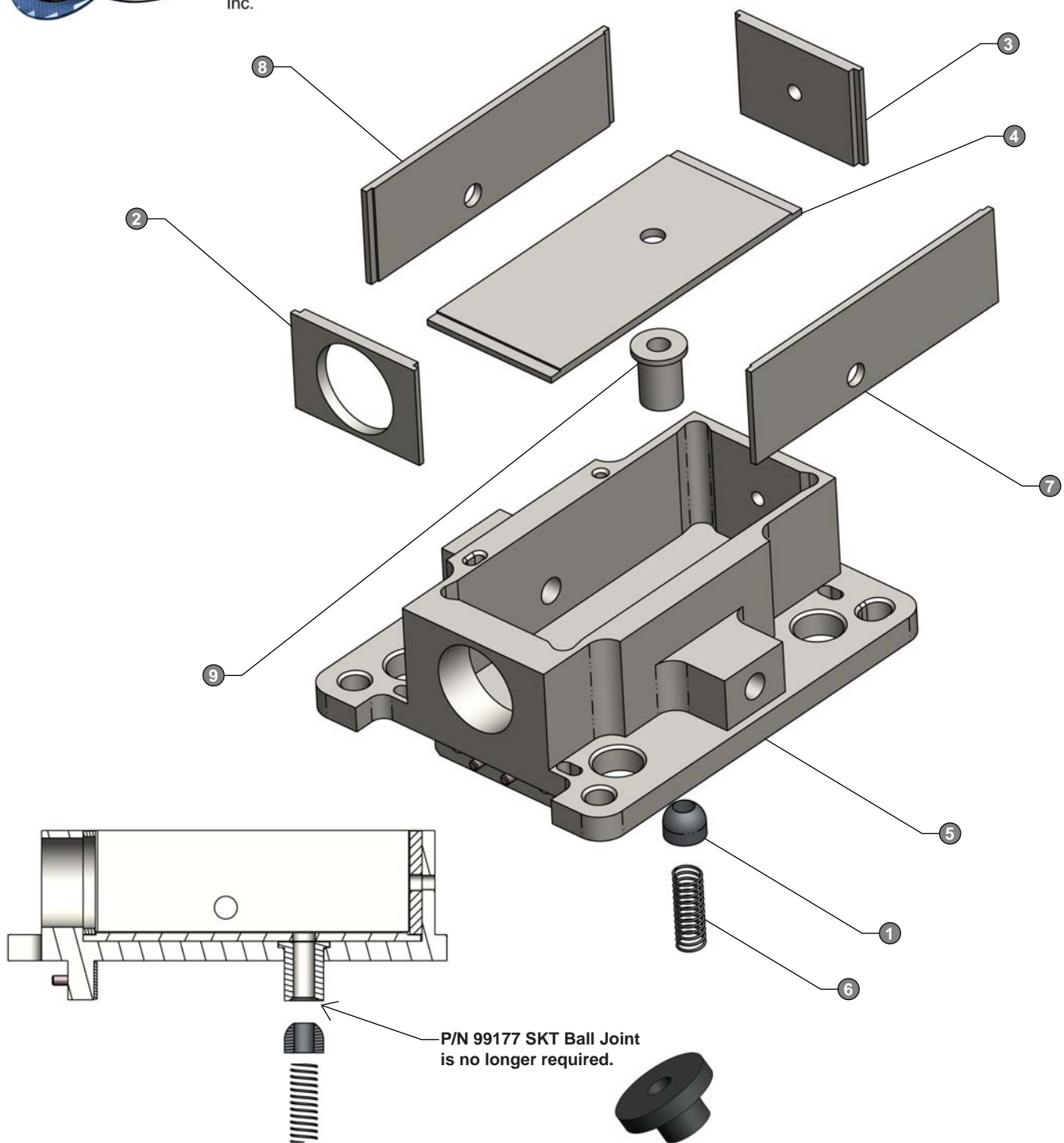
Glemco .080" Tungsten Liner System for GSD ELS Sources



| Item | P/N | Description | OEM | QTY |
|------|----------|----------------------------------------------------------|--------------|-----|
| 1 | 99176 | Ball Joint, Graphite | 17021591 | 1 |
| 2 | 99594 | Arc Chamber, Liner Version, W/ Vaporizer Ports, Tungsten | 17292590 | 1 |
| 3 | 99662W | Filament End Liner, Tungsten | 17292620 | 1 |
| 4 | 99663AW | Repeller End Liner, .313" Repeller, Tungsten | 17292630 | 1 |
| 5 | 99782W | Base Liner, .080 THK, Tungsten | No Reference | 1 |
| 6 | 99783W-1 | Side Liner .080 Thk, Vaporizer Version, Right, Tungsten | No Reference | 1 |
| 7 | 99783W-2 | Side Liner .080 Thk, Vaporizer Version, Left, Tungsten | No Reference | 1 |
| 8 | 99825 | Gas Sleeve Liner, Tungsten | No Reference | 1 |
| 9 | 99172B | Compression Spring, Inconel | 17033140 | 1 |



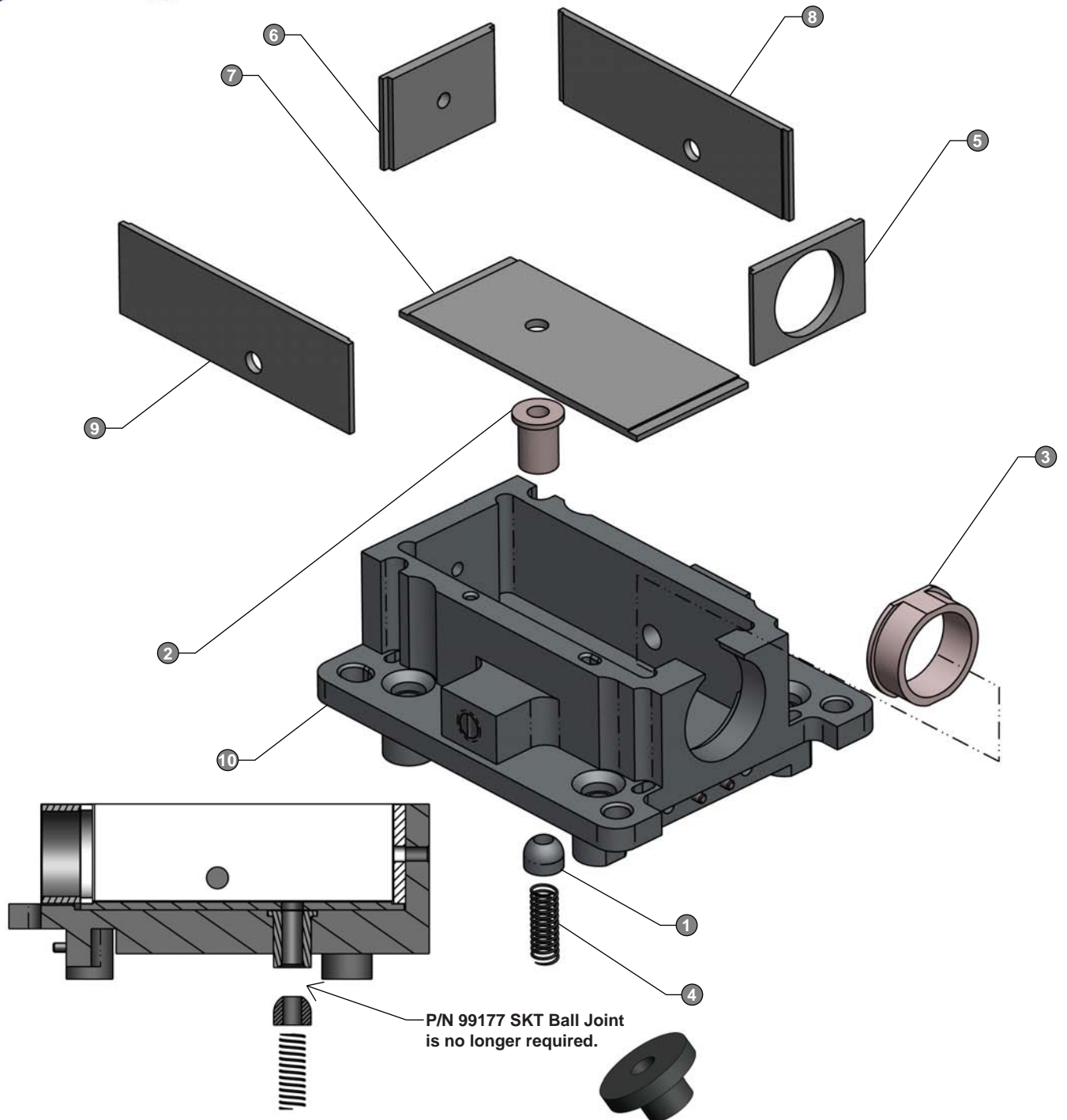
Glemco .080" Molybdenum Liner System for GSD ELS Sources



| Item | P/N | Description | OEM | QTY |
|------|---------|-------------------------------------------------------------|--------------|-----|
| 1 | 99176 | Ball Joint, Graphite | 17021591 | 1 |
| 2 | 99662 | Filament End Liner, Molybdenum | 17292620 | 1 |
| 3 | 99663 | Repeller End Liner, .313" Repeller, Molybdenum | 17292630 | 1 |
| 4 | 99782 | Base Liner, .080 Thick, Molybdenum | No Reference | 1 |
| 5 | 99786 | ELS Arc Chamber, Liner Version | 17292590 | 1 |
| 6 | 99172B | Compression Spring, Inconel | 17033140 | 1 |
| 7 | 99783-1 | Side Liner .080 Thick, Vaporizer Version, Right, Molybdenum | No Reference | 1 |
| 8 | 99783-2 | Side Liner .080 Thick, Vaporizer Version, Left, Molybdenum | No Reference | 1 |
| 9 | 99825M | Gas Sleeve Liner, Molybdenum | No Reference | 1 |



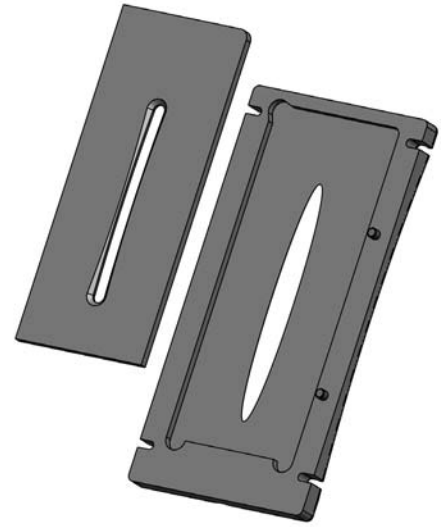
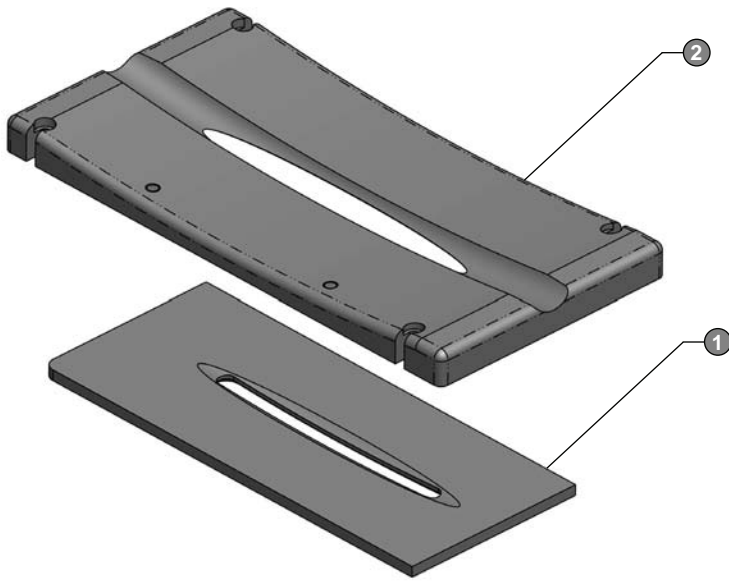
Glemco .080" Graphite Arc Chamber Liner System for GSD ELS Sources



| Item | P/N | Description | OEM | QTY |
|------|----------|---------------------------------------------------------------------------|--------------|-----|
| 1 | 99176 | Ball Joint, Graphite | 17021591 | 1 |
| 2 | 99825 | Gas Sleeve Liner, Tungsten | No Reference | 1 |
| 3 | 99826 | Cathode Sleeve Liner, Tungsten | No Reference | 1 |
| 4 | 99172B | Compression Spring, Inconel | 17033140 | 1 |
| 5 | 99662W | Filament End Liner, Tungsten | 17292620 | 1 |
| 6 | 99663W | Repeller End Liner, .313" Repeller, Tungsten | 17292630 | 1 |
| 7 | 99782W | Base Liner, .080 Thick, Tungsten | No Reference | 1 |
| 8 | 99783W-1 | Side Liner .080 Thick, Vaporizer Version, Right, Tungsten | No Reference | 1 |
| 9 | 99783W-2 | Side Liner .080 Thick, Vaporizer Version, Left, Tungsten | No Reference | 1 |
| 10 | 99791V | Arc Chamber, Els, Graphite, Liner, W/ .140 Repeller, With Vaporizer Ports | 17133400 | 1 |

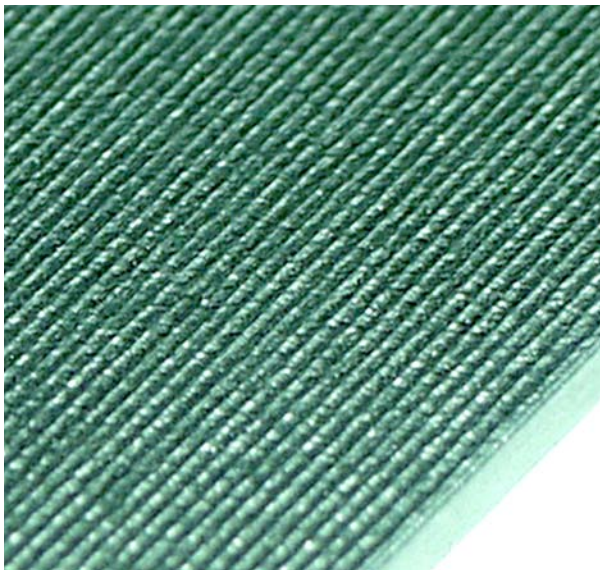


Glemco .080" Arc Slit Aperture Options



Bottom View

| Item | P/N | Description | OEM | QTY |
|------|--------|-------------------------------------------|--------------|-----|
| 1 | 99784W | Arc Slit Liner, .080 Thick, T15, Tungsten | No Reference | 1 |
| 2 | 99785W | Face Plate T15, .080 Liner Version | No Reference | 1 |



All Glemco .080" liners feature the **Shark Skin™** surface finish, designed to reduce flaking from process build-up.