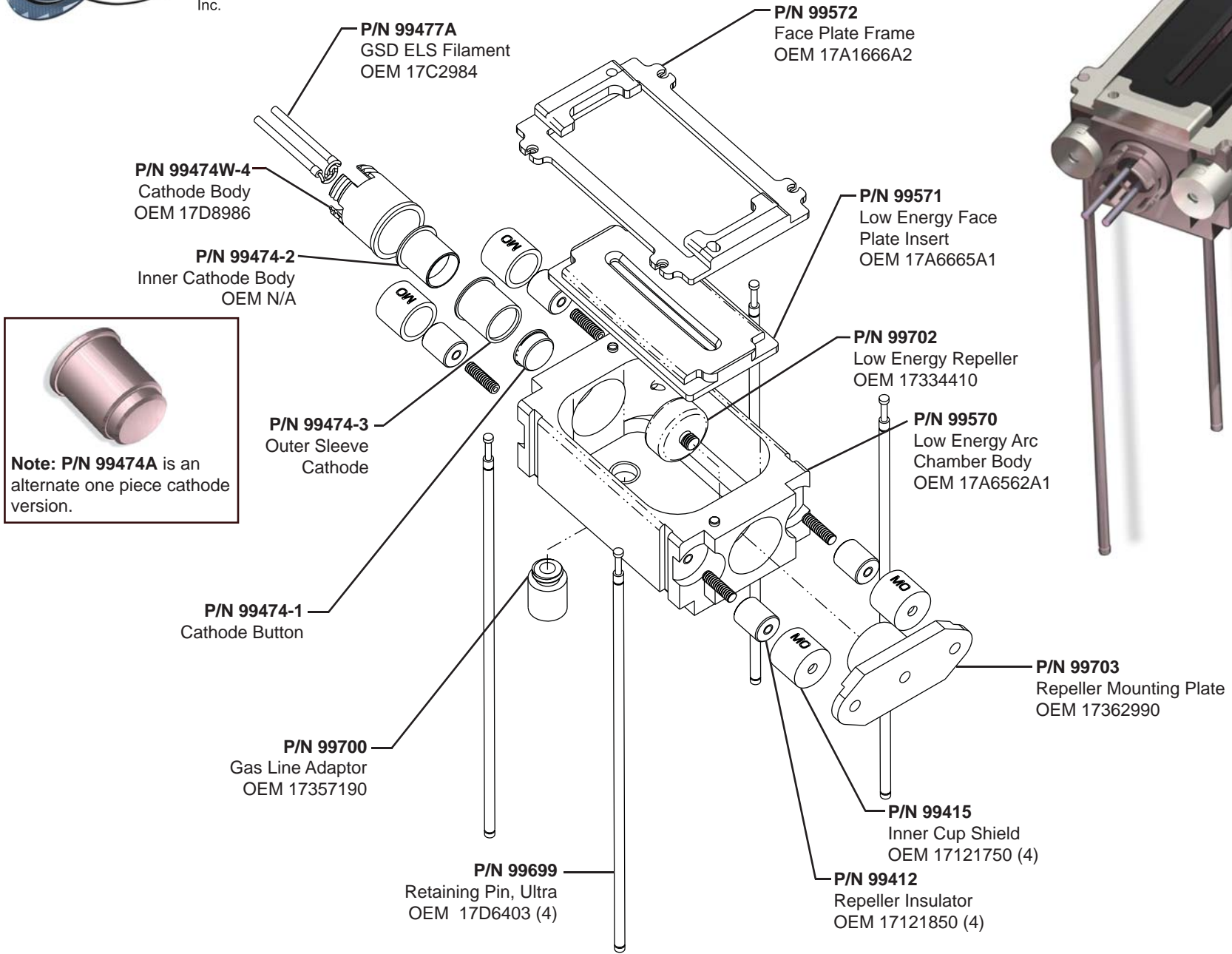




Replacement Components for Axcelis GSD Low Energy Ion Source



Note: P/N 99474A is an alternate one piece cathode version.

