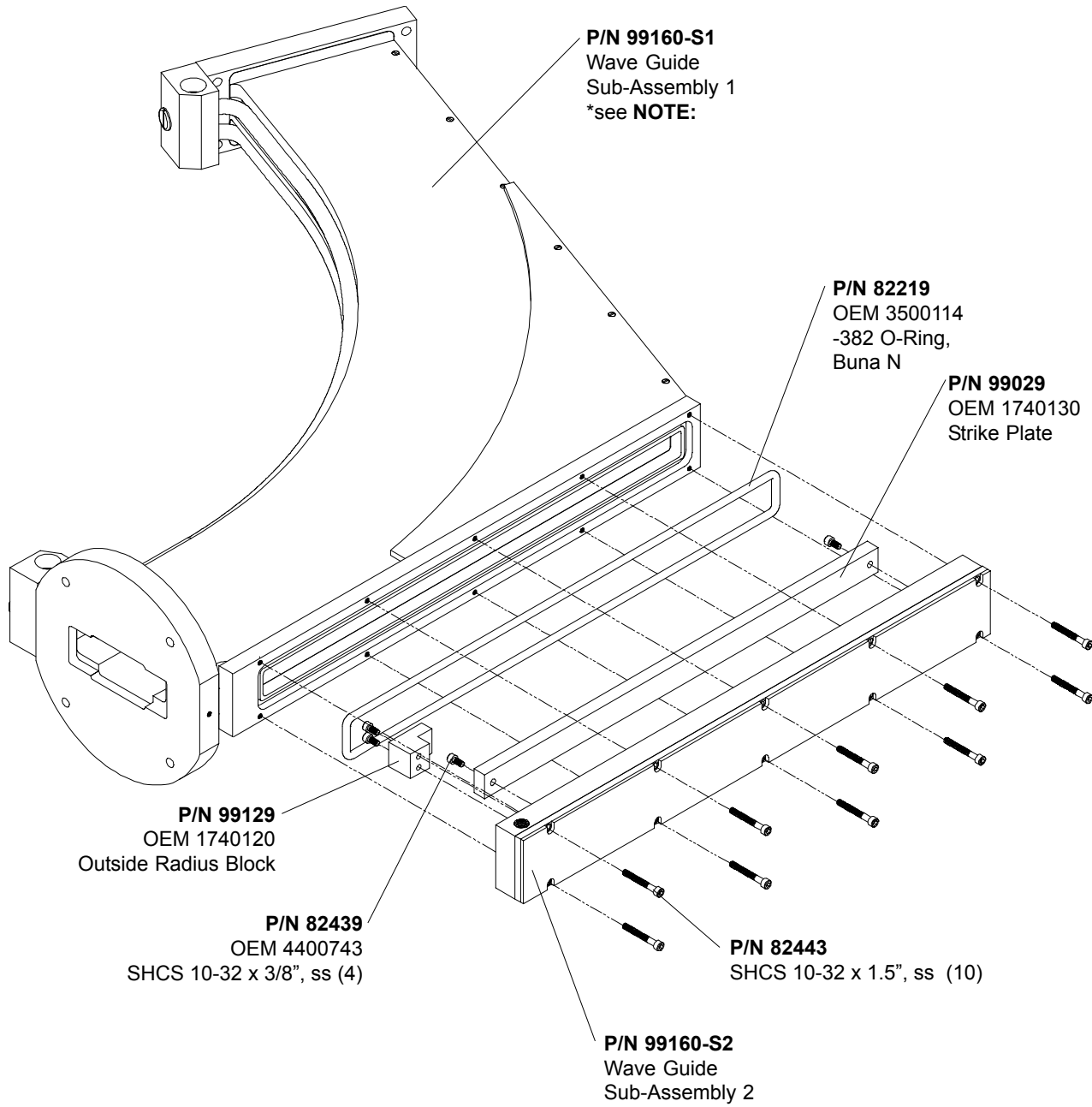


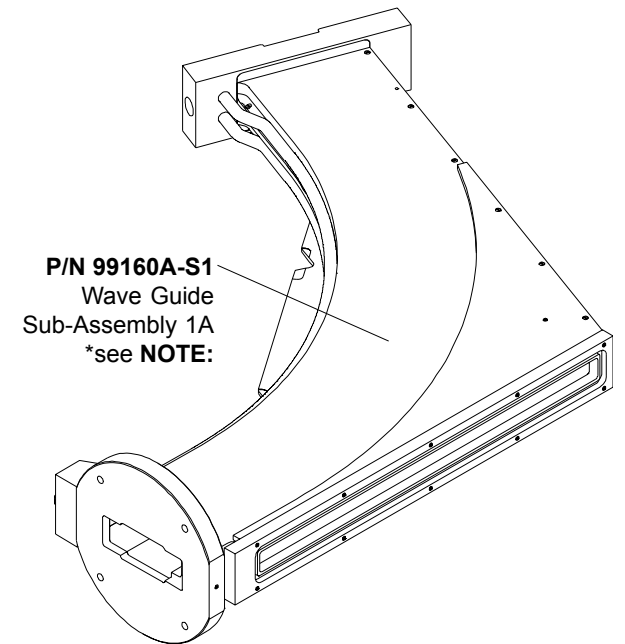
### Key to Sections

- E-1** Exploded view, with part numbers, of Wave Guide sub-assemblies.
- E-2** Exploded view, with part numbers, of Wave Guide liner blocks.

**Section E**  
**P/N: 99160**  
OEM 1103970  
Wave Guide Assembly  
for **10-80, 10-160, and NV-10** Implanters



**\*NOTE:** The Wave Guide Sub-Assembly1A, **P/N 99160A-S1**, fits a different machine configuration than **P/N 99160-S1**. The additional components shown here may be used to complete either assembly and are also sold separately.



**\*\*NOTE:**

The 32 piece Liner Block Set, **P/N 99151** includes:

<b>P/N 99151-1</b>	(OEM 17062931)	1
<b>P/N 99151-2</b>	(OEM 17062932)	1
<b>P/N 99151-3</b>	(OEM 17062933)	1
<b>P/N 99151-4</b>	(OEM 17062934)	1
<b>P/N 99151-5</b>	(OEM 17062935)	1
<b>P/N 99155</b>	(OEM 1732990)	27

**\*NOTE:** The Liner Block Mounting Assembly, **P/N 99152**, includes two end brackets and a mounting wire.

