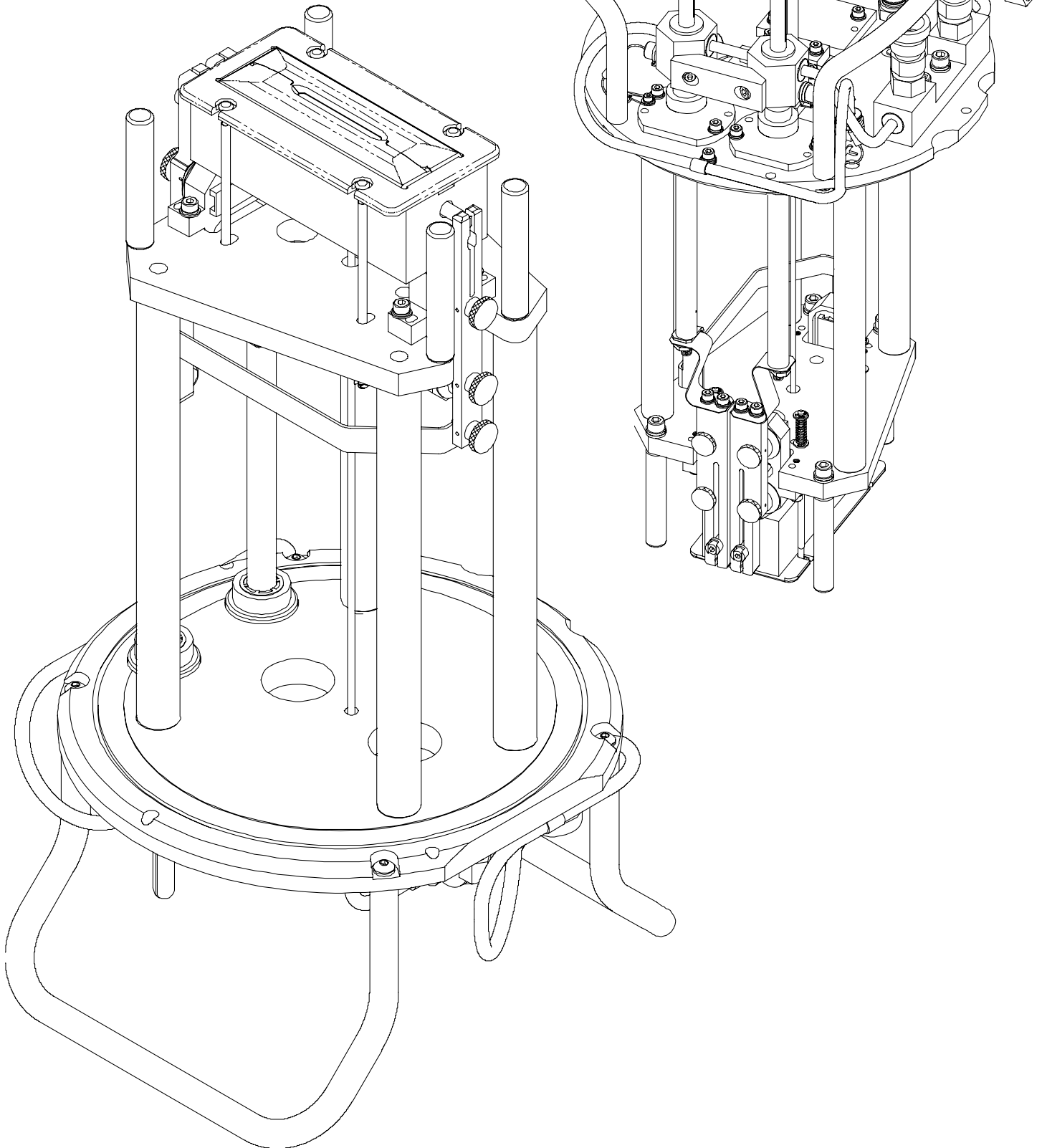
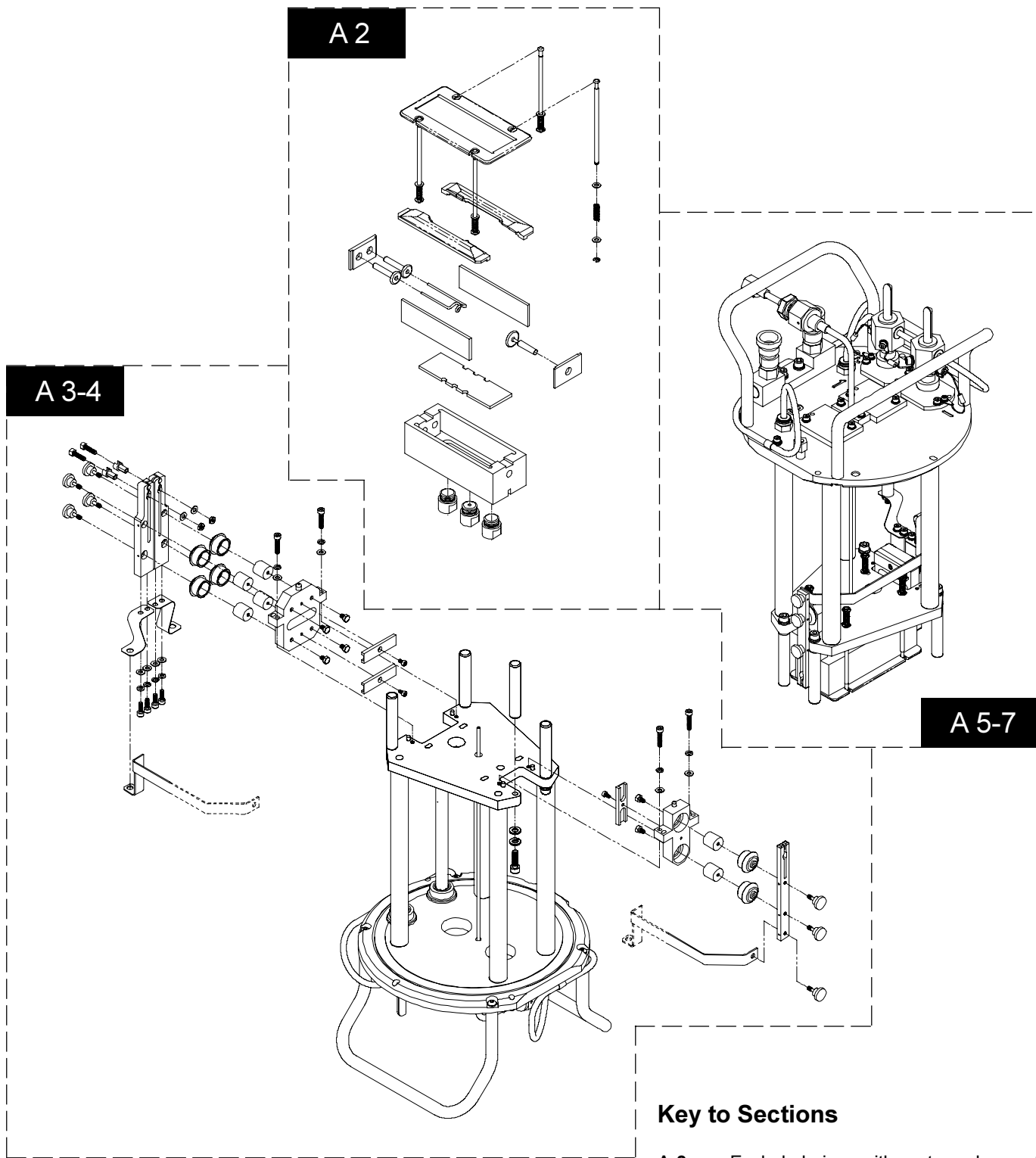


## Section A

P/N: 90050 Source  
(no vaporizer)

for **Applied Materials 9500** Implanters

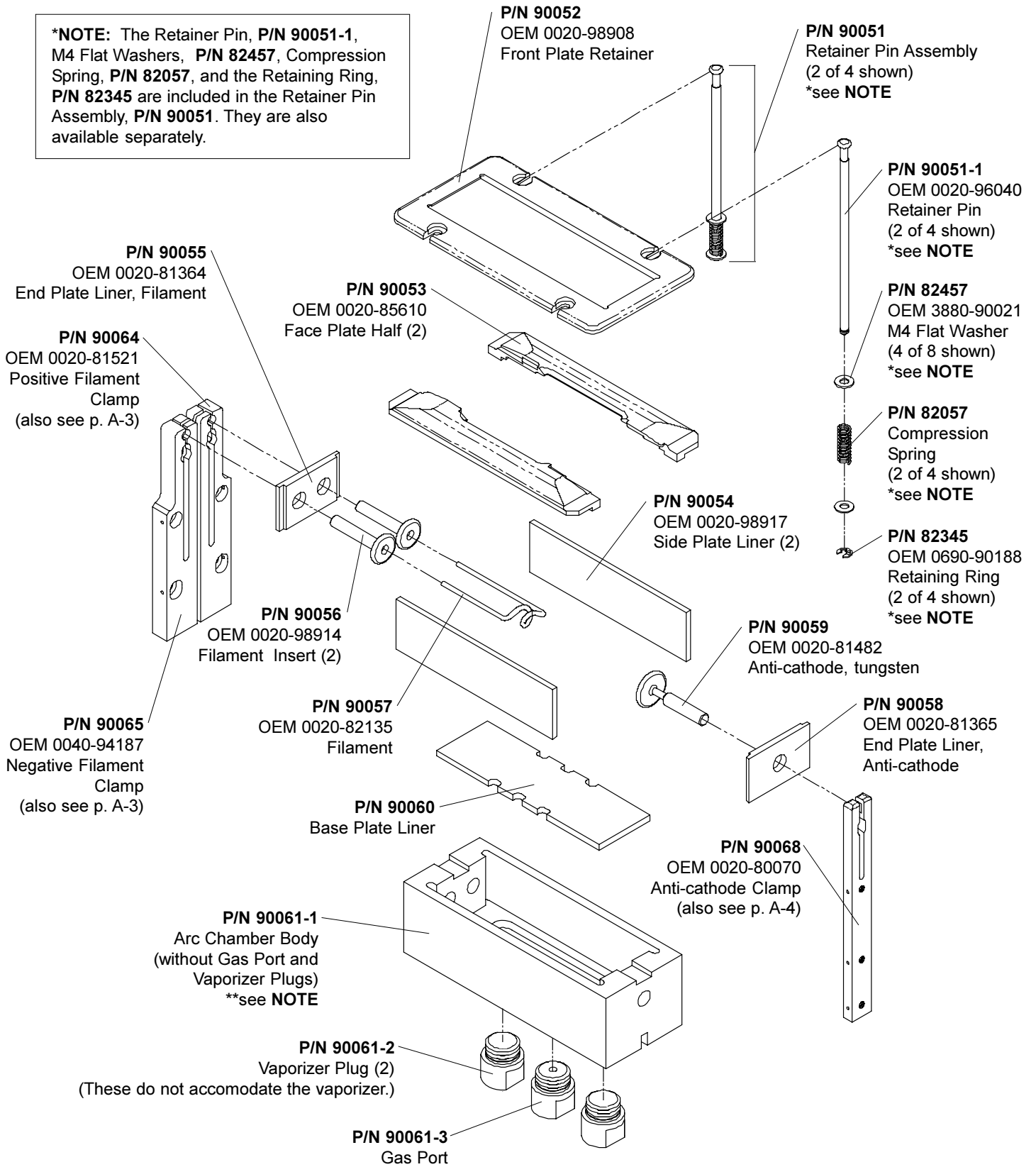




**Key to Sections**

- A-2** Exploded view, with part numbers, of arc chamber and related components.
- A-3** Exploded view, with part numbers, of top body components, filament end.
- A-4** Exploded view, with part numbers, of top body components, anti-cathode end.
- A-5-7** Exploded view, with part numbers, of underside of source body and related components.

**\*NOTE:** The Retainer Pin, P/N 90051-1, M4 Flat Washers, P/N 82457, Compression Spring, P/N 82057, and the Retaining Ring, P/N 82345 are included in the Retainer Pin Assembly, P/N 90051. They are also available separately.



**\*\* NOTE:** The Arc Chamber with Gas Port and Vaporizer Plugs included is available as P/N 90061.

