

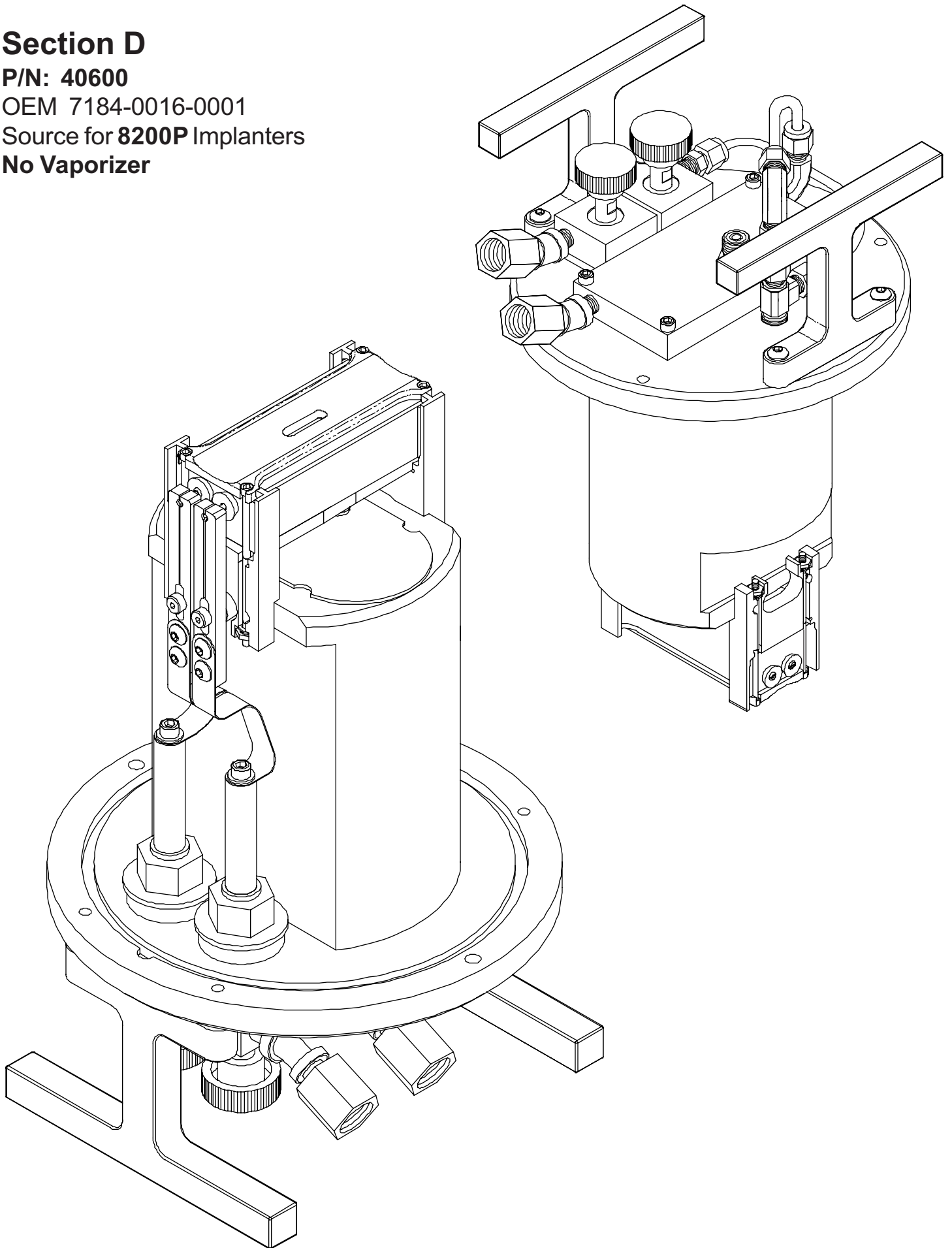
# Section D

P/N: 40600

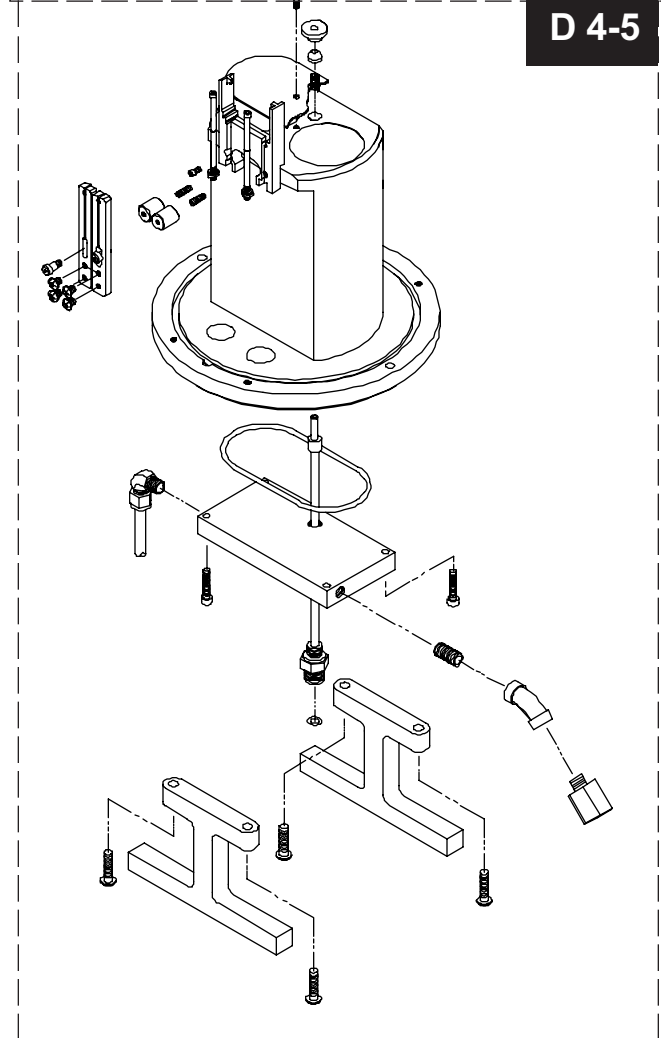
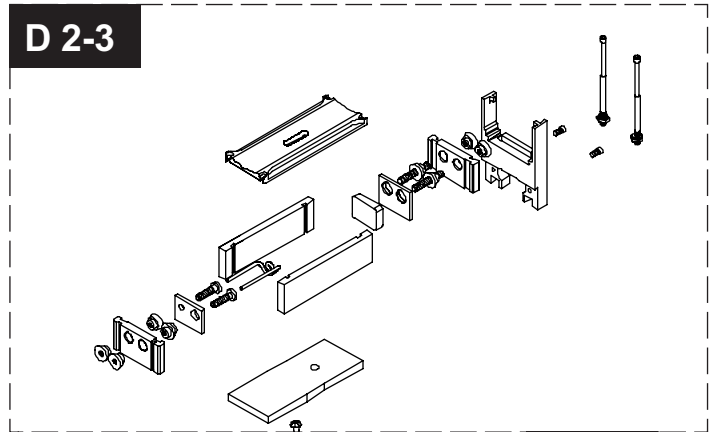
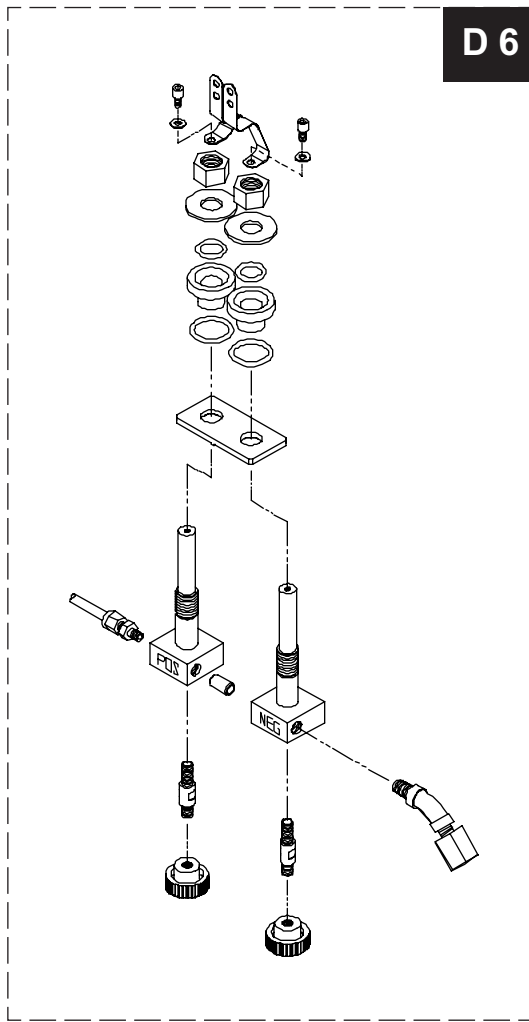
OEM 7184-0016-0001

Source for **8200P** Implanters

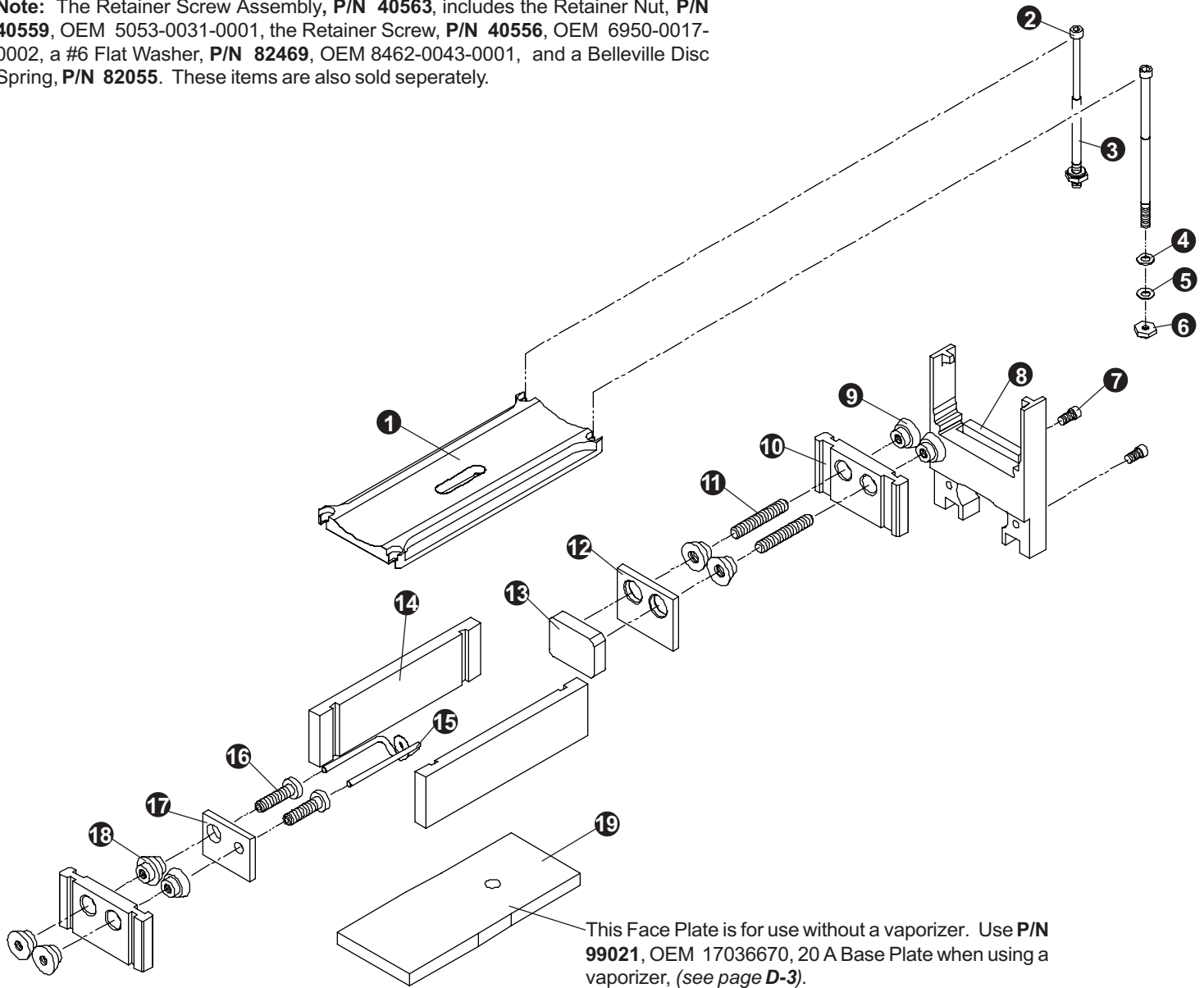
**No Vaporizer**



- D-2** Arc chamber and components with retaining screw.
- D-3** Arc chamber and components with retaining pin.
- D-4** Base plate, mounting stage and related components in relation to source body.
- D-5** Source bottom components
- D-6** Connective components from filament clamp to feed-thrus.



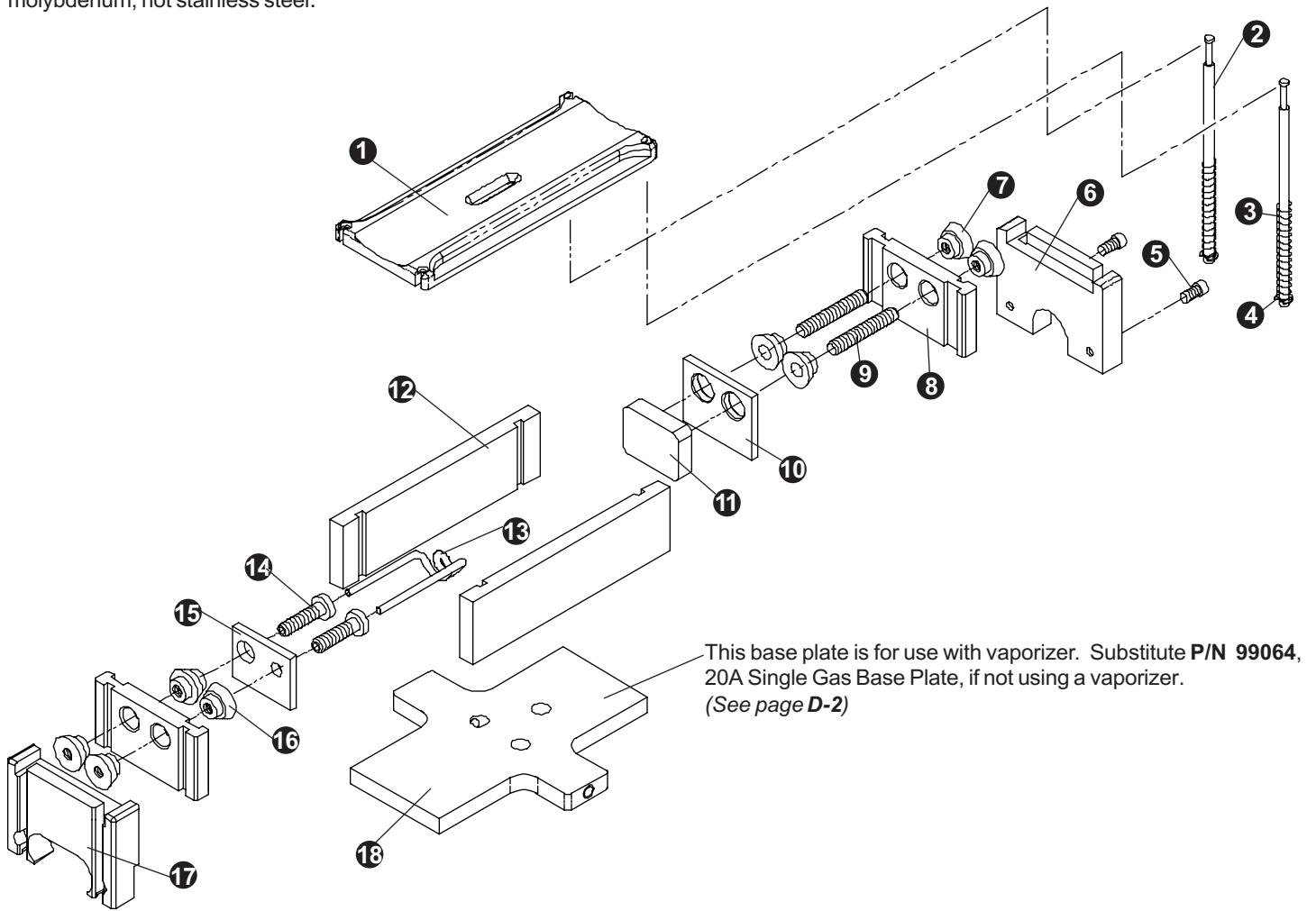
**Note:** The Retainer Screw Assembly, **P/N 40563**, includes the Retainer Nut, **P/N 40559**, OEM 5053-0031-0001, the Retainer Screw, **P/N 40556**, OEM 6950-0017-0002, a #6 Flat Washer, **P/N 82469**, OEM 8462-0043-0001, and a Belleville Disc Spring, **P/N 82055**. These items are also sold separately.



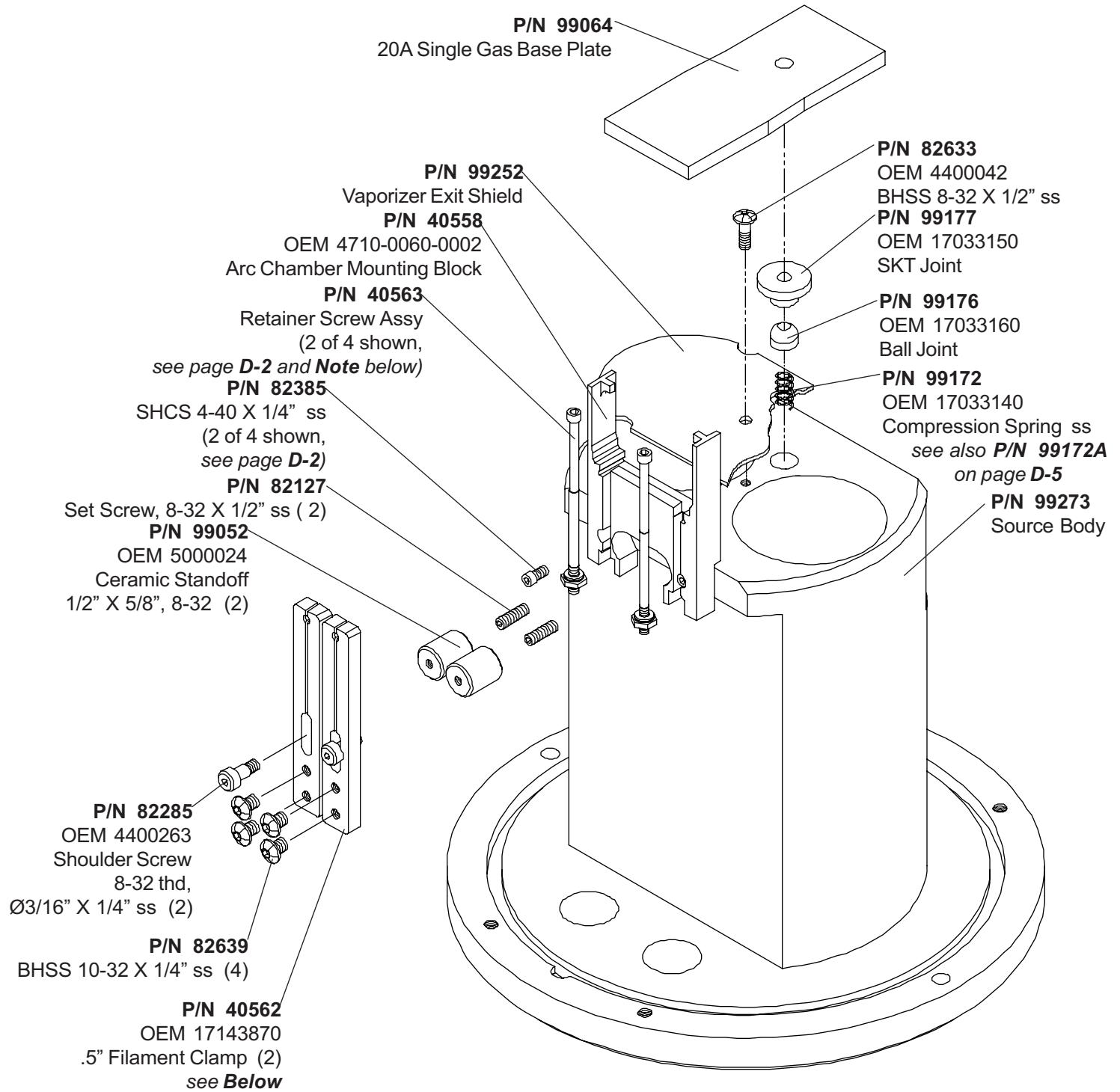
This Face Plate is for use without a vaporizer. Use **P/N 99021**, OEM 17036670, 20 A Base Plate when using a vaporizer, (see page **D-3**).

1. **P/N 40555**, OEM 7142-0006-0001, Face Plate
2. **P/N 40563**, Retainer Screw Assy, (2 of 4 shown, see page **D-4**), see **Note**
3. **P/N 40556**, OEM 6950-0017-0002, Retainer Screw, 4
4. **P/N 82469**, OEM 8462-0043-0001, #6 Flat Washer, 4
5. **P/N 82055**, Belleville Disc Spring, 4
6. **P/N 40559**, OEM 5053-0031-0001, Retainer Nut, 4
7. **P/N 82385**, SHCS 4-40 X 1/4" ss, (2 of 4 shown, see page **D-4**)
8. **P/N 40557**, OEM 4710-0059-0002, Arc Chamber Mounting Block
9. **P/N 99022**, OEM 1708680, Ceramic Filament Insulator, 7
10. **P/N 99008**, OEM 1789810, Endplate, 2; Also available in tantalum as **P/N 99008T**
11. **P/N 99234**, OEM 17072941, Repeller Retainer, 2; Also available in tantalum as **P/N 99234T**
12. **P/N 99012**, OEM 1790420, Repeller Shield; Also available in tantalum as **P/N 99012T**
13. **P/N 99010**, OEM 1789830, Graphite Repeller Plate; Also available in molybdenum as **P/N 99239**, OEM 17100430
14. **P/N 99004**, OEM 1704990, Side Plate, 2; Also available in tantalum as **P/N 99004T**
15. **P/N 30670**, OEM 1789850, Pigtail Filament; Also available in 2% thoriated tungsten as **P/N 30672**
16. **P/N 99002**, OEM 1200321, Filament Insulator Insert, 2; Also available in tantalum as **P/N 99002T** and graphite as **P/N 99002G**
17. **P/N 99009**, OEM 1789820, Filament Shield; Also available in tantalum as **P/N 99009T**
18. **P/N 99023**, OEM 1709830 or OEM 17032830, Ceramic Filament Insulator
19. **P/N 99064**, 20A Single Gas Base Plate

**Note:** The Retainer Pin Assembly, **P/N 99014**, OEM 1200080/17036440, includes the Retainer Pin Spring, **P/N 99035**, OEM 4000059, and the Cir Clip, **P/N 99048**, OEM 4300031. They are also available separately. The Glemco Retainer Pin is molybdenum, not stainless steel.



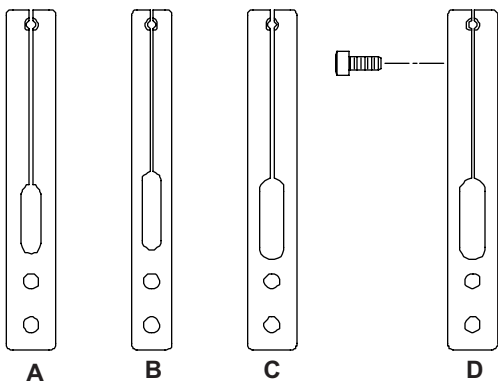
1. **P/N 40554**, OEM 7142-0001-0001, Face Plate
2. **P/N 99014**, OEM 1200080/17036440, Retainer Pin Assy, (2 of 4 shown), see **Note**
3. **P/N 99035**, OEM 4000059, Retainer Pin Spring, (2 of 4 shown)
4. **P/N 99048**, OEM 4300031, Cir Clip, (2 of 4 shown)
5. **P/N 82385**, SHCS 4-40 X 1/4" ss, (2 of 4 shown)
6. **P/N 99068**, OEM 1705030, Arc Chamber Mounting Block
7. **P/N 99022**, OEM 1708680, Ceramic Filament Insulator, 7
8. **P/N 99008**, OEM 1789810, Endplate, 2; *Also available in tantalum as **P/N 99008T***
9. **P/N 99234**, OEM 17072941, Repeller Retainer, 2; *Also available in tantalum as **P/N 99234T***
10. **P/N 99012**, OEM 1790420, Repeller Shield; *Also available in tantalum as **P/N 99012T***
11. **P/N 99010**, OEM 1789830, Graphite Repeller Plate; *Also available in molybdenum as **P/N 99239**, OEM 17100430*
12. **P/N 99004**, OEM 1704990, Side Plate, 2; *Also available in tantalum as **P/N 99004T***
13. **P/N 30670**, OEM 1789850, Pigtail Filament; *Also available in 2% thoriated tungsten as **P/N 30672***
14. **P/N 99002**, OEM 1200321, Filament Insulator Insert, 2; *Also available in tantalum as **P/N 99002T** and graphite as **P/N 99002G***
15. **P/N 99009**, OEM 1789820, Filament Shield; *Also available in tantalum as **P/N 99009T***
16. **P/N 99023**, OEM 1709830 or OEM 17032830, Ceramic Filament Insulator
17. **P/N 99053**, OEM 1789870, Arc Chamber Mounting Block
18. **P/N 99021**, OEM 17036670, 20A Source Base Plate.

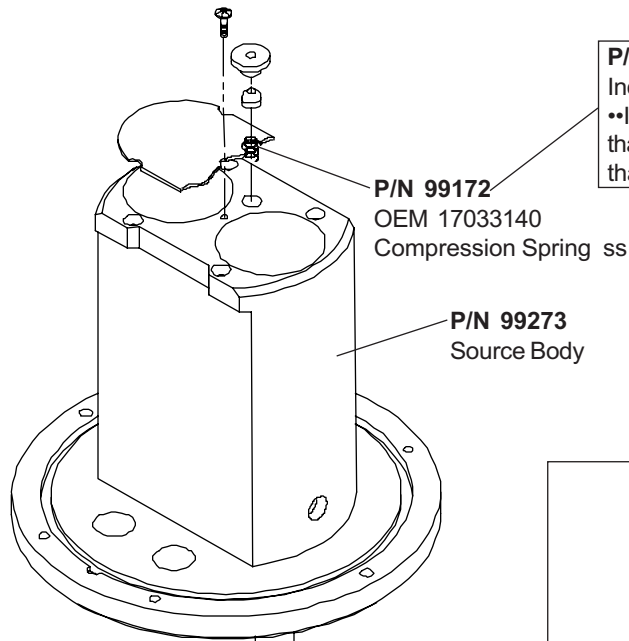


**Note:** The Retainer Screw Assembly, **P/N 40563**, includes the Retainer Nut, **P/N 40559**, OEM 5053-0031-0001, the Retainer Screw, **P/N 40556**, OEM 6950-0017-0002, a #6 Flat Washer, **P/N 82469**, and a Belleville Disc Spring, **P/N 82055**. These items are also sold separately.

Options for Filament Clamp

- A** **P/N 40562** OEM 17143870 .5" Filament Clamp
- B** **P/N 99001** OEM 17043870 .4" Filament Clamp
- C** **P/N 99019** OEM 1789800 .5" Filament Clamp, .wide slot
- D** **P/N 99019A** .5" Filament Clamp with filament retainer


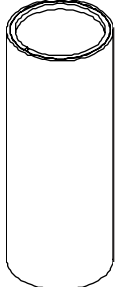




**P/N 99172A**  
Inconel Compression Spring  
••Inconel is a high temperature alloy that performs better and lasts longer than stainless steel.

**P/N 99172**  
OEM 17033140  
Compression Spring ss

**P/N 99273**  
Source Body

<b>P/N 99331</b> OEM 17033100 Vaporizer Heat Shield Retainer	
<b>P/N 99336</b> OEM 1152240 Vaporizer Heat Shield (2)	

These parts are available for use with a vaporizer. **P/N 99260**, the Glemco Source, is provided without vaporizer components.

**P/N 99335**  
OEM 17033360  
Cooling Tube Assembly

**P/N 82751**  
1/4" O.D. Polyethylene Tubing

**P/N 82535**  
1/4" Union Elbow

**P/N 82528**  
1/4" Male Elbow

**P/N 82217**  
O-Ring, -241

**P/N 99251**  
Vaporizer Blank-Off Plate

**P/N 82442**  
OEM 4400022  
SHCS 10-32 X 1" ss (4)

**P/N 82515**  
1/8" NPT Nipple

**P/N 99333**  
OEM 17032980  
VCO Gas Feed Tube Assembly with welded nozzle  
**P/N 99334**  
Nozzle (if purchased separately)

**P/N 82516**  
1/8" NPT 45° Elbow

**P/N 99326**  
OEM 17036660  
Source Handle (2)

**P/N 82538**  
Reducing Adapter, 3/8" NPT to 1/8" NPT

**P/N 82655**  
OEM 4500263  
BHSS 1/4-20 X 1" ss (4)

